



HS-1
SYSTEM SELECTOR SWITCH

INSTALLATION & OPERATION MANUAL

REVISION B

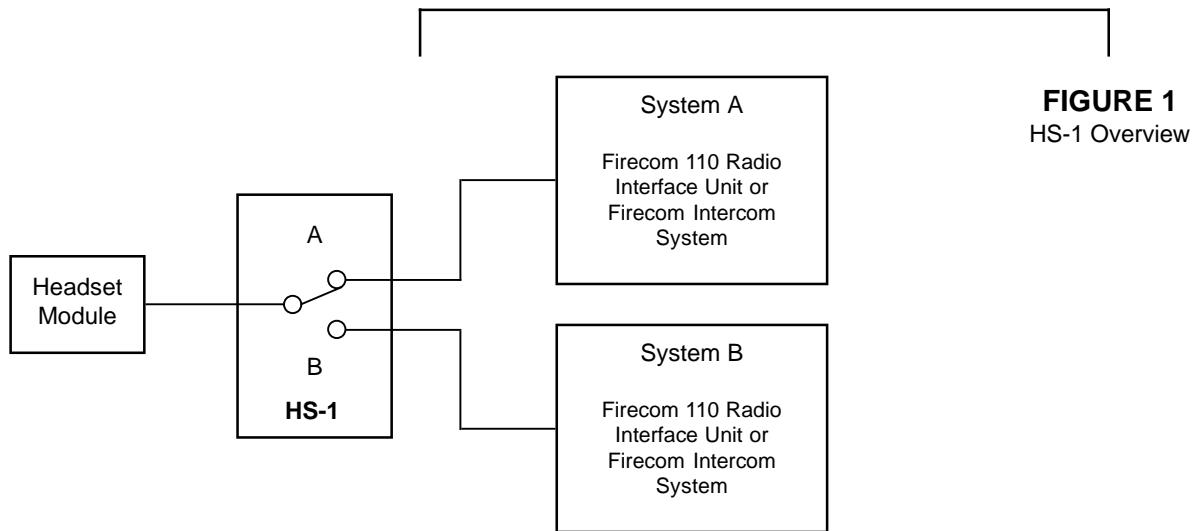
ORIENTATION

ABOUT THE HS-1

The HS-1 selector switch is designed for use in situations where a crew-member needs to switch between 2 communication systems, completely isolating himself from the non-selected system. These systems can be a Firecom 110 Radio Interface Unit, or any Firecom Intercom System (which may or may not have a radio interfaced), or any combination of these.

Since the HS-1 can be interfaced with many different combinations of systems, this manual will refer to the systems generically as "System A" and "System B".

IMPORTANT



ITEMS INCLUDED WITH THE HS-1:

The table below lists the items which have been included with the HS-1 Selector Switch. When unpacking the HS-1, please take a moment to make sure you have received all the items listed.

Quantity	Part Number	Description
1	—————	HS-1 Switch
1	420-0026-00	Power Cable Assembly
4	351-0002-00	RJ-12 Modular Connectors
4	450-0022-00	#6 X 1/2" Black Screws
1	—————	Assorted Labels (set)
6 ft	400-0009-00	Flat Modular Cable

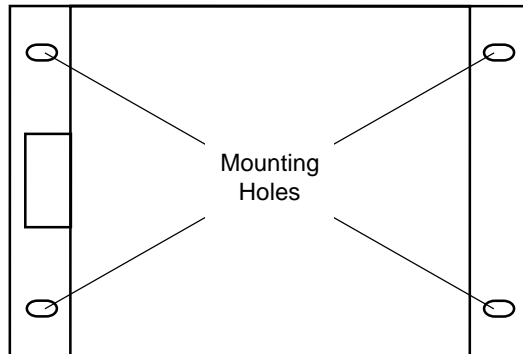
INSTALLATION

IMPORTANT This installation procedure is written, assuming that you are installing a Firecom Intercom System and/or a Firecom 110 Radio Interface Unit, or already have them installed. If you have questions regarding mounting of the Headset Modules, installing the CA Cables or installing the Intercom/Radio Interface Unit, please consult the manual for that system.

1. Select a location to mount the HS-1. It does not need to be near the headset module or the intercom/radio interface unit, although it must be convenient to the operator.
2. Using the HS-1 as a template, mark the location of the mounting holes (Figure 2) and drill the holes.

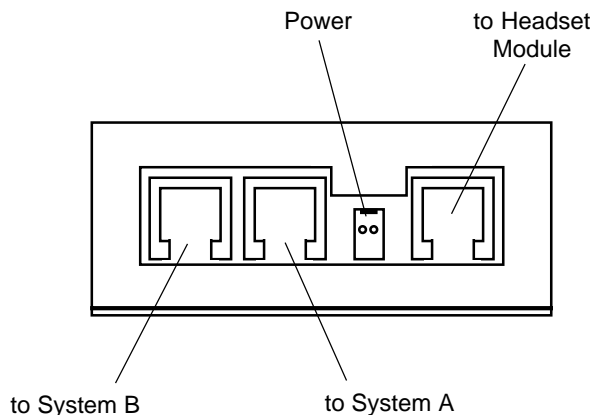
IMPORTANT Before drilling, be sure to check the area behind the panel holes to ensure that it is free of wires or other obstructions that could be damaged.

FIGURE 2
HS-1 Top View



3. Mount the HS-1 using the mounting screws provided.
4. Plug the CA Cable from the Headset Module (either an HM interior headset module or a PP exterior headset module), into the appropriate jack on the rear of the HS-1 (Figure 3).
5. Plug the CA Cables from the two intercom/radio systems into the appropriate jacks on the rear of the HS-1 (Figure 3).

FIGURE 3
HS-1 Rear Panel

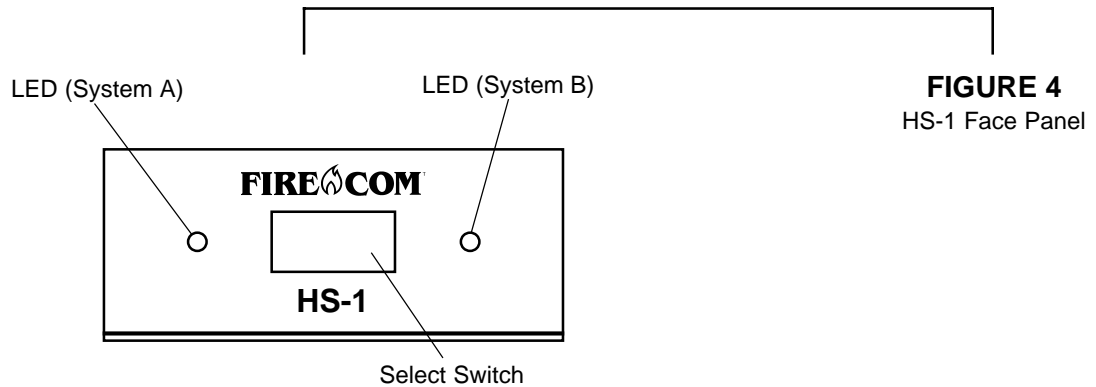


INSTALLATION

Before making the following power connections, make sure the apparatus master switch is OFF!

IMPORTANT

6. Connect the red wire on the power cable assembly to a fused source of +12 volts DC.
7. Connect the black wire on the power cable assembly to the vehicle's chassis ground.
8. Plug the power cable assembly into the appropriate jack on the rear of the HS-1 (Figure 3).
9. Turn the apparatus master switch on.
10. When the Select Switch (Figure 4) is not depressed, the LED on the left (for system A) should be lit. The headset should now be interfaced with system A.



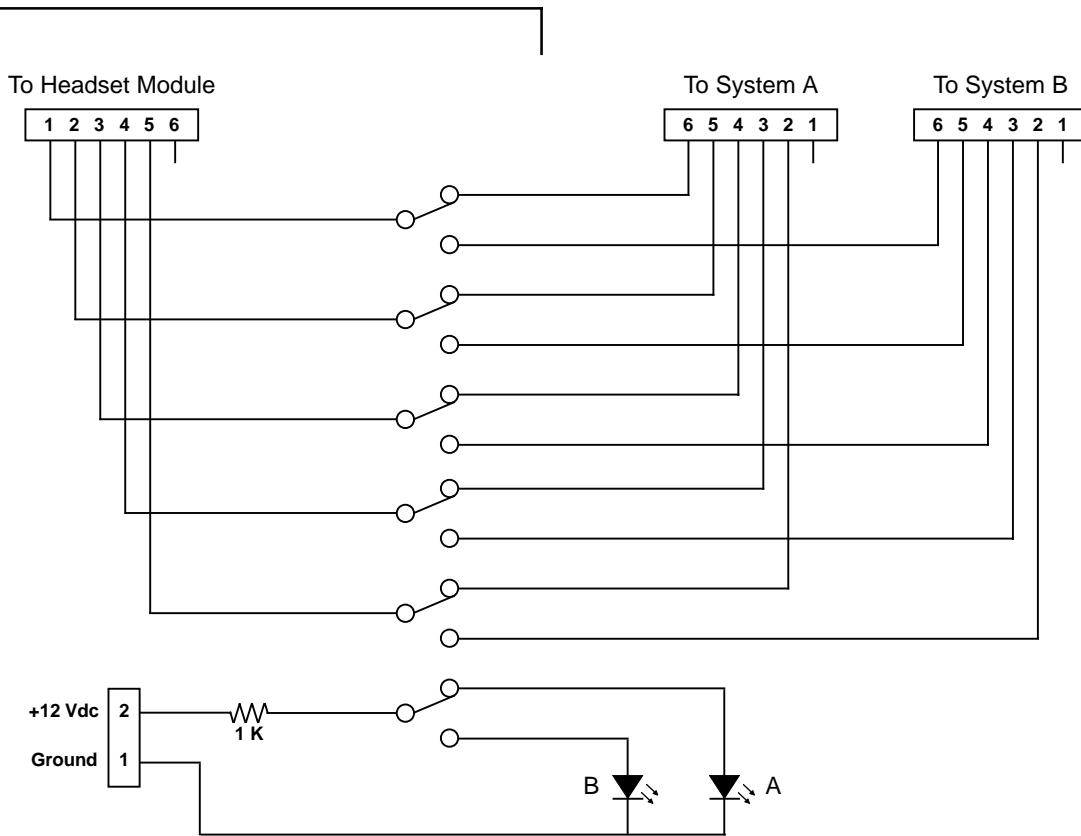
11. With the Select Switch (Figure 4) depressed, the LED on the right (for system B) should be lit. The headset should now be interfaced with system B.
12. There are a number of different labels included with the HS-1. These labels are for application to the HS-1 (either on the Face Panel or the top) to label which system the LED indicates. You may use one of these labels, or make your own if you wish.

The labels included with the HS-1 are:

- Radio A
- Radio B
- Dispatch
- Medical
- High Band
- Low Band

WIRING DIAGRAM

FIGURE 5
HS-1 Wiring Diagram



SPECIFICATIONS

PHYSICAL DIMENSIONS

Length: 4.125 in.

Height: 1.25 in.

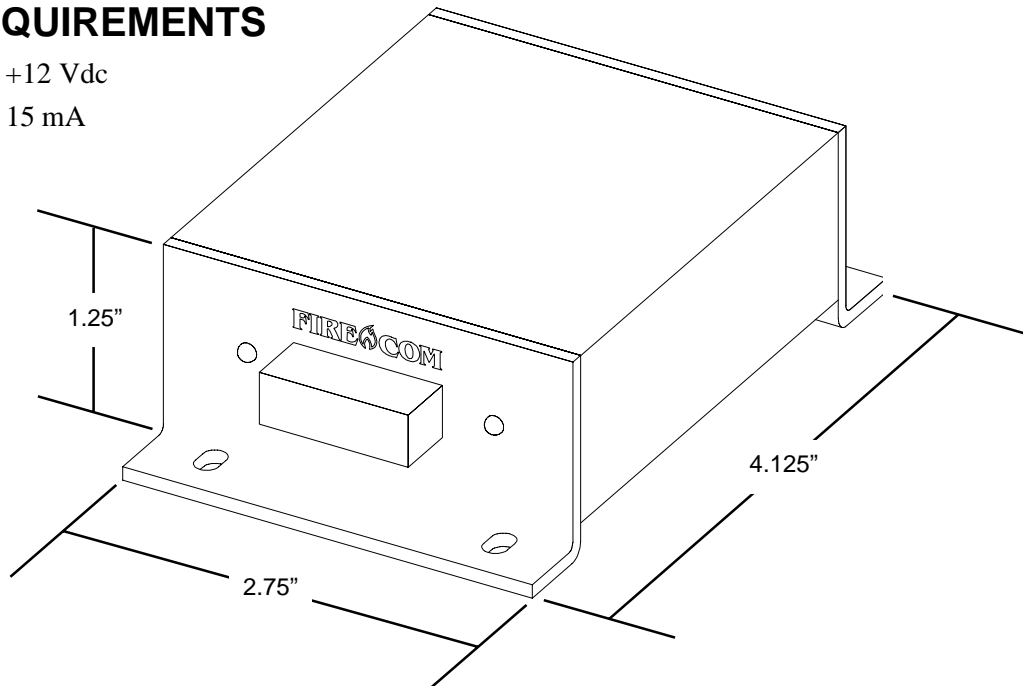
Width: 2.75 in.

Weight: 5.0 oz.

POWER REQUIREMENTS

Voltage: +12 Vdc

:Max Current: 15 mA





WARRANTY

TWO-YEAR LIMITED WARRANTY TO ORIGINAL PURCHASER

Sonetics Corporation warrants to the original purchaser of its products, that they will be free from defects in materials and workmanship, under normal and proper use, for the period of two years from date of purchase. Sonetics Corporation will repair or replace, at its option, any parts showing factory defects during this warranty period, subject to the following provisions. This warranty applies only to a new product which has been sold through authorized channels of distribution. All work under warranty must be performed by Sonetics Corporation. All returned products must be shipped to our address, freight prepaid, accompanied by a dated proof of purchase. The purchaser voids this warranty if he, she or others attempt to repair, service or alter the product in any way. This warranty does not apply in the event of accident, abuse, improper installation, unauthorized repair, tampering, modification, fire, flood, collision, or other damage from external sources, including damage which is caused by user replaceable parts (leaking batteries, etc.). This warranty does not extend to any other equipment or apparatus to which this product may be attached or connected. The foregoing is your sole remedy for failure in service or defects. Sonetics Corporation shall not be liable under this or any implied warranty for incidental or consequential damages, nor for any installation or removal costs or other service fees. This warranty is in lieu of all other warranties, express or implied, including the warranty of merchantability or fitness of use, which are hereby excluded. To the extent that this exclusion is not legally enforceable, the duration of such implied warranties shall be limited to two years from date of purchase. No suit for breach of express or implied warranty may be brought after two years from date of purchase.

FIRECOM IS A DIVISION OF SONETICS CORPORATION

7340 SW Durham Road • Portland, Oregon 97224 • 800-527-0555 • 503-684-6647 • Fax: 503-620-2943

email: sales@firecom.com • www.firecom.com

© Copyright 1998, Rev. 2/01, Rev. 1/02, Sonetics Corporation. All rights reserved. The information in this document is subject to change without notice.

No part of this document may be copied or reproduced in any form without the prior written consent of Sonetics Corporation.

This Document is part number: 600-0083-00. Revision B. Printed in the U.S.A.
