

DIGITAL INTERCOM

QUICK REFERENCE

www.soneticscorp.com

Sonetics®



DOWNLOAD DETAILED PRODUCT MANUAL FROM WEBSITE
www.soneticscorp.com/support

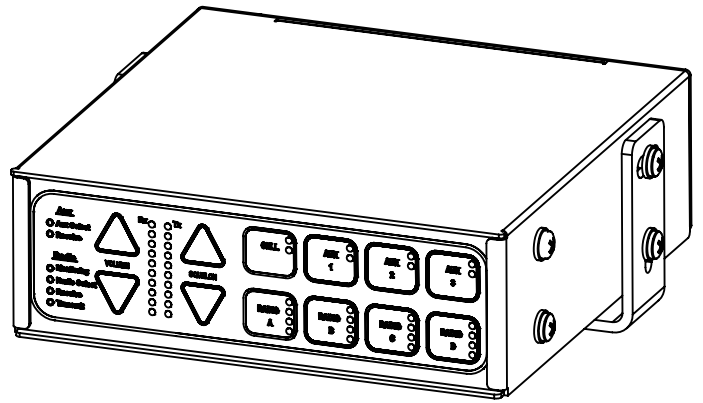


800-833-4558

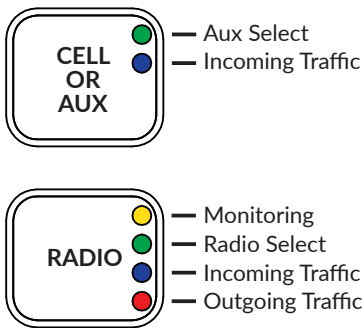


17600 SW 65th Ave
Lake Oswego, OR 97035 USA

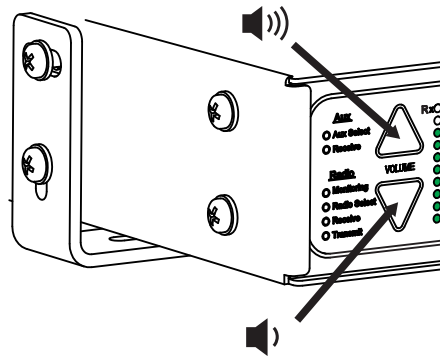
Copyright © 2019 Sonetics Corporation. All rights reserved.
600-1040-00 Rev F



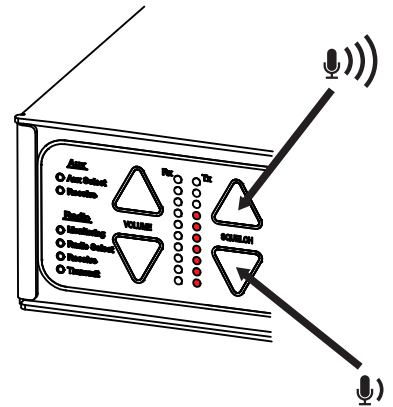
LED COLORS



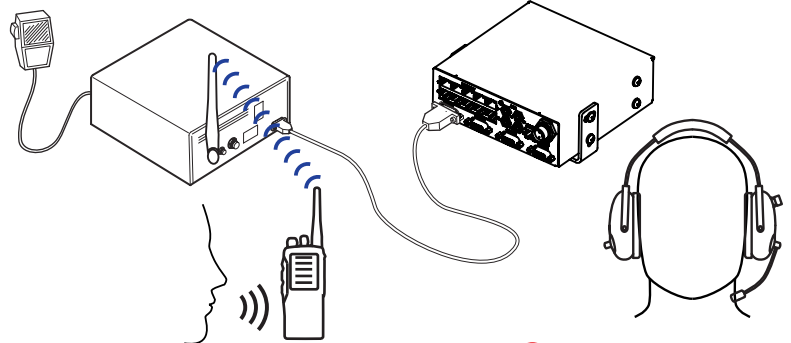
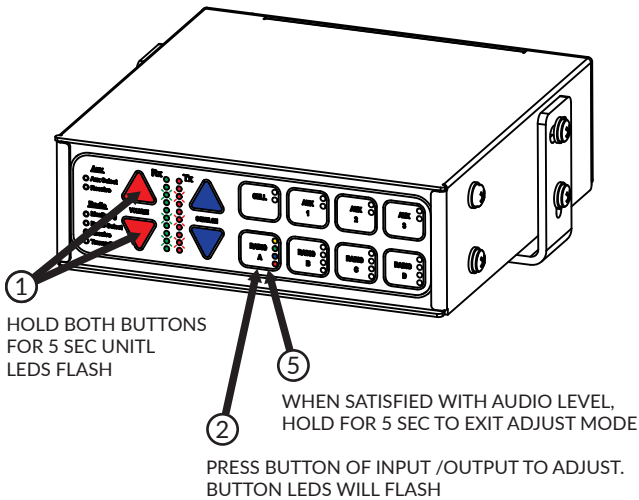
INTERCOM VOLUME



INTERCOM SQUELCH



INPUT/OUTPUT GAIN ADJUSTMENT



③ (INPUT) – ADJUST WITH VOLUME BUTTONS
HAVE A PARTNER SPEAK INTO REMOTE RADIO

④ (INPUT) – LISTEN TO HEADSET AND ADJUST GAIN USING VOLUME UP/DOWN

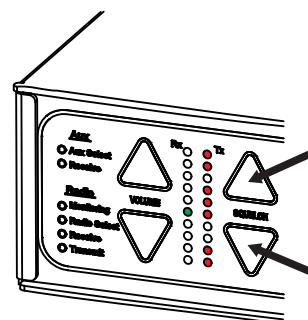
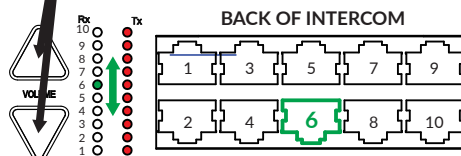
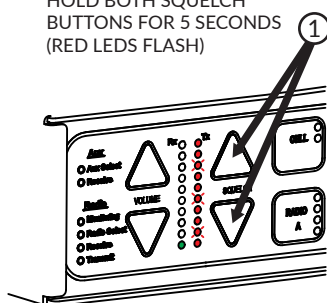
③ (OUTPUT) – ADJUST WITH SQUELCH BUTTONS
HAVE A PARTNER LISTEN TO REMOTE RADIO

④ (OUTPUT) – SPEAK THRU HEADSET TO REMOTE RADIO AND ADJUST USING SQUELCH UP/DOWN

WIRELESS BASE STATION SQUELCH ENABLE/DISABLE

HOLD BOTH SQUELCH BUTTONS FOR 5 SECONDS (RED LEDS FLASH)

② PRESS UP/DOWN VOLUME BUTTON TO SELECT HEADSET

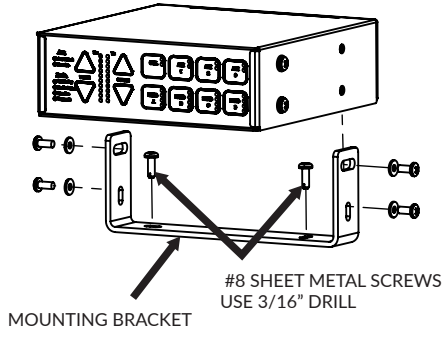


PRESS SQUELCH UP TO ENABLE SQUELCH (RED LED ON)

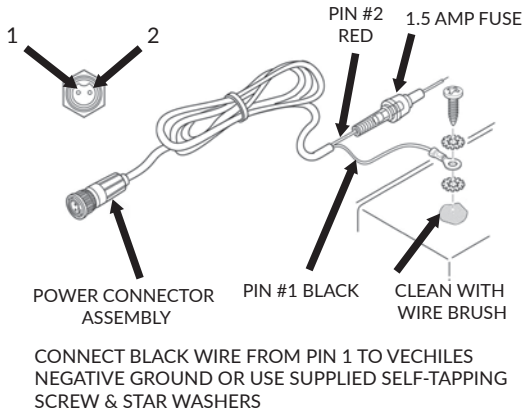
③ PRESS SQUELCH DOWN TO DISABLE SQUELCH (RED LED OFF)

QUICK INSTALL & SCHEMATICS

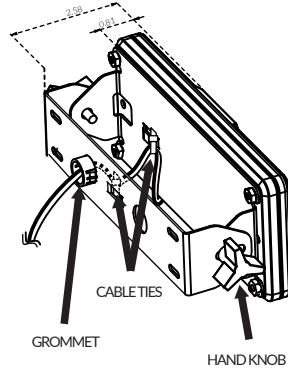
INTERCOM INSTALLATION



POWER CABLE CONNECTION



REMOTE HEAD INSTALLATION

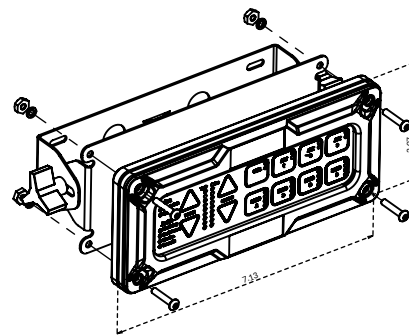


Mounting Flush to a Flat Surface

1. Remove the 4 Torx bolts (T-10) and nuts from the corners of the remote head
2. Use the Remote Head as a template to mark and drill (4) mounting holes: 7/64" diameter for sheet metal screws or 5/32" for machine screws
3. Drill 3/8" hole in mounting surface and install the supplied grommet. Pass the wire through
4. For inside installation, mount the panel using the supplied screws (4), making sure the cable is not pinched Recommended torque : 10 in-lbs
5. Determine the correct length for the CA cable, and cut cable to correct length

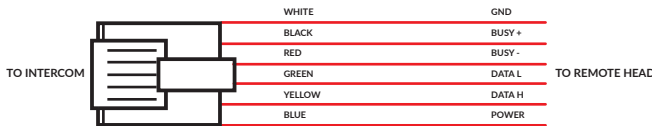
Mounting with Bracket

1. Remove 4 Torx bolts (T-10) and nuts from the corners of the remote head
2. Drill 3/4" hole at desired wire pass-through location on mounting surface
3. Drill (4) mounting holes: 7/64" for #6 sheet metal screws or 9/64" for #6 machine screws
4. Mount the bracket using included hardware. Torque : 10 in-lbs
5. Pass cable through grommet and secure with cable ties as shown
6. Adjust the panel to a desirable viewing angle with the two hand knobs



WIRING SCHEMATICS

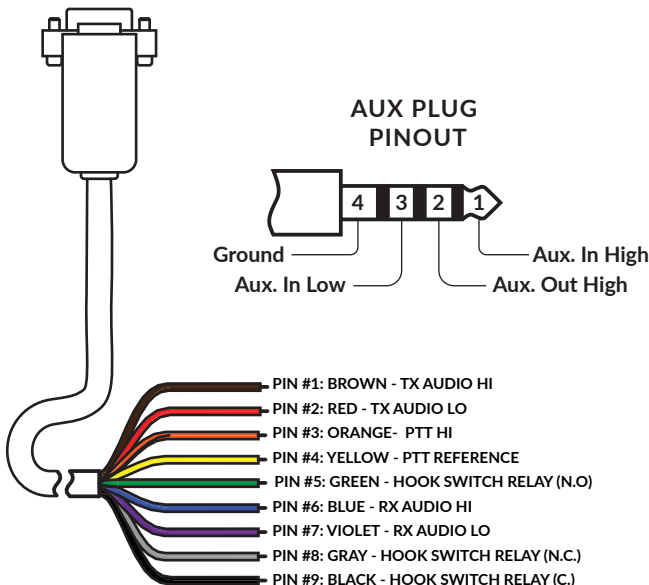
REMOTE HEAD WIRING



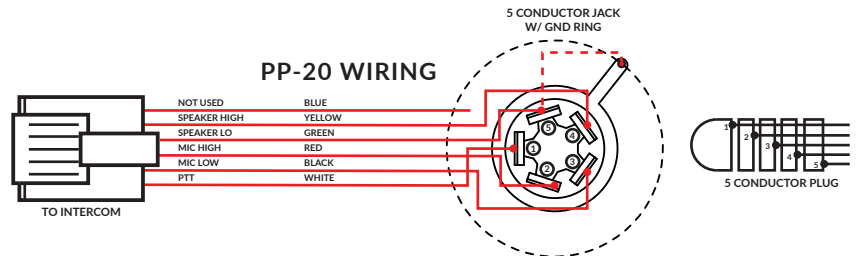
HEADSET MODULE WIRING



MR-OX Radio Interface Cable



PP-20 WIRING



HEADSET MODULE WIRING

