

# Addendum

## 403LSA 2-Place Panel Mount Intercom



Flightcom's 403LSA 2-place panel mount intercom can be installed using an **optional** wiring harness (P/N 103-0029-00) with the D-sub connector prewired (15 ft length) or by following the basic installation instructions contained in the 403 6-place stereo intercom Installation/Operation manual. For your convenience, the connection schematic for 2-place stereo installation is detailed below.

Included with the 403LSA are the following:

**Accessory Package containing:**

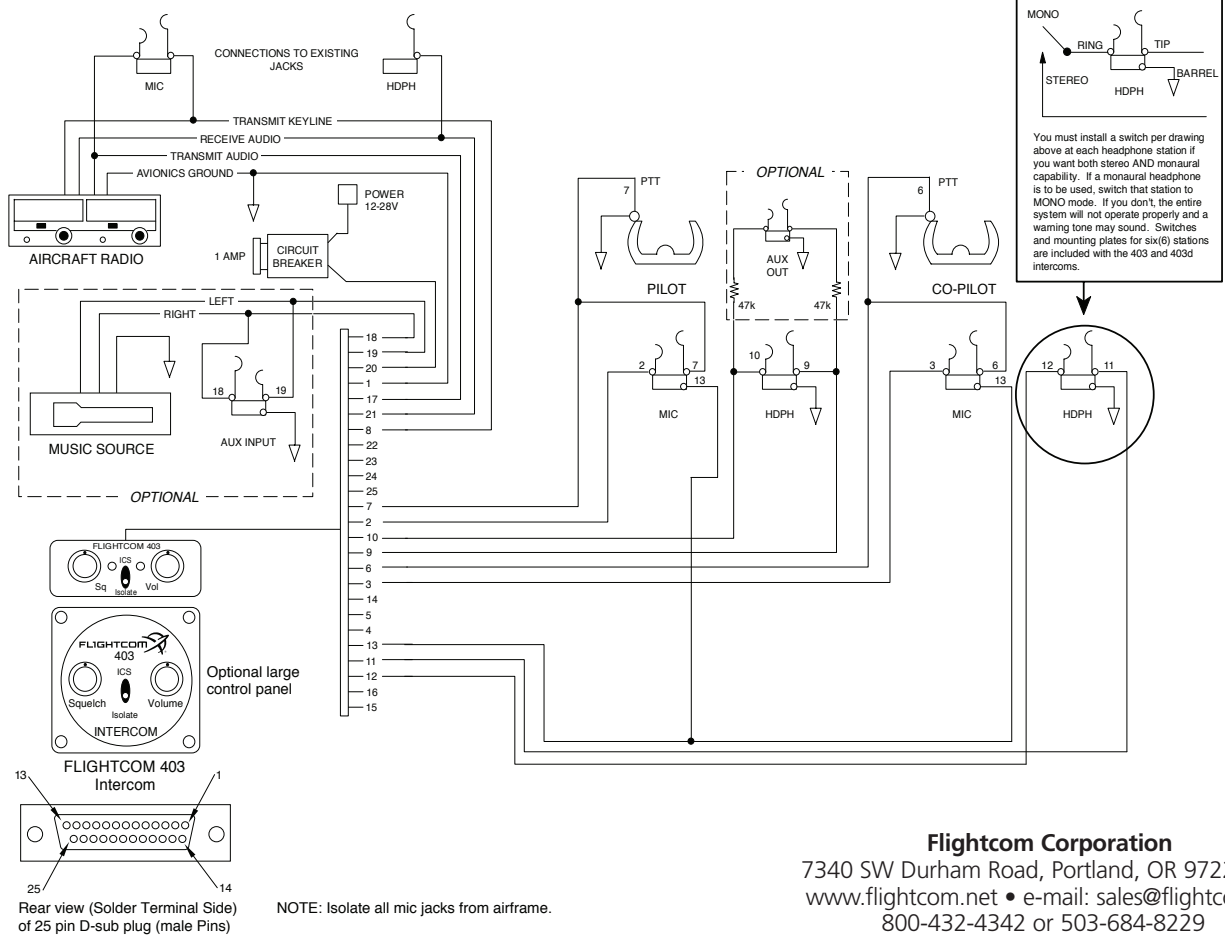
- 1) 25-pin D-sub connector (male)
- 1) 25-pin D-sub connector housing
- 1) Rectangular faceplate
- 2) Knobs – volume & squelch
- 2) #4-40 mounting screws
- 1) Allen wrench

**Jack Package containing:**

- 2) Headphone jacks
- 2) Microphone jacks
- 4) Metal nuts
- 4) Metal washers
- 2) Black fiber shoulder washers
- 2) White nylon or fiber washers

**403 Installation/Operation Manual  
Warranty Card**

**Figure 6 - Connection Schematic - Mono Mode**



**Flightcom Corporation**

7340 SW Durham Road, Portland, OR 97224 USA  
 www.flightcom.net • e-mail: sales@flightcom.net  
 800-432-4342 or 503-684-8229